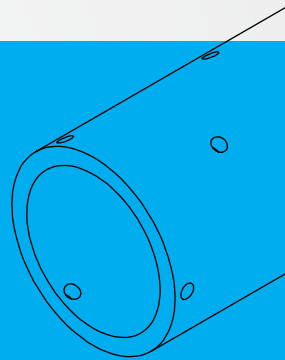


PERFORATED POLYETHYLENE PIPES

4", 6" AND 8" DIAMETERS

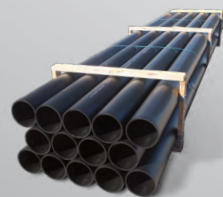
ASSORTED WALL
THICKNESSES

CUSTOM LENGTHS



Engineered specifically for capturing biogas and leachate from landfill sites, our perforated pipes are manufactured to our high quality standards from high density polyethylene. With hole patterns available in a variety of diameters to optimize the capture of gases and liquids, this eco-responsible, robust and durable product is available in 4, 6 or 8-inch diameters and in various sizes and lengths.

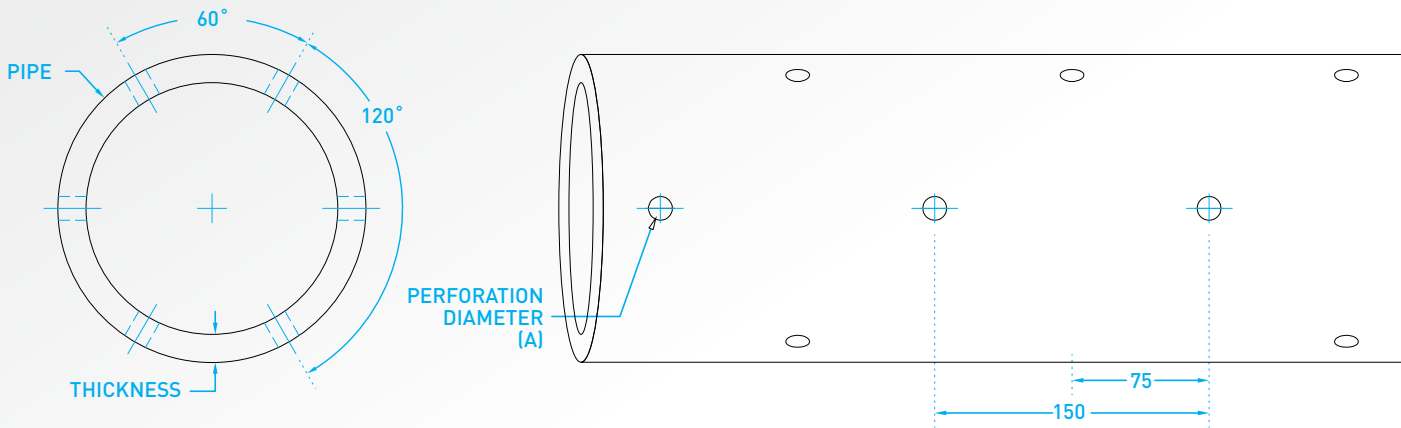
PRODUCTS AVAILABLE IN STICKS, ROLLS AND COILS.





PE4710 PERFORATED PIPE SPECIFICATIONS

Nominal Diameter	Hole Diameter (A)	Thickness (additional thickness available on request)
4"	8, 10, 13, 14 mm	DR 11 and thinner
6"	8, 10, 13, 14 mm	
8"	8, 10 mm	DR 11 and thinner
8"	13 mm	DR 13.5 and thinner
8"	14 mm	DR 17 and thinner



STANDARD PRODUCT SIZES (PER ASTM D3055 AND F714)

Nominal Pipe Size in (IPS)	Outside Diameter in (mm)	Tolerance ± in (mm)	Minimal Wall Thickness in (mm)					
			SDR 32.5	SDR 26	SDR 21	SDR 17	SDR 13.5	SDR 11
4	4.500	0.009	0.138	0.173	0.214	0.265	0.333	0.409
	(114.3)	(0.23)	(3.51)	(4.39)	(5.44)	(6.73)	(8.46)	(10.39)
6	6.625	0.011	0.204	0.255	0.315	0.390	0.491	0.602
	(168.28)	(0.28)	(5.18)	(6.48)	(8.00)	(9.91)	(12.47)	(15.29)
8	8.625	0.013	0.265	0.332	0.411	0.507	0.639	0.784
	(219.08)	(0.33)	(6.73)	(8.43)	(10.44)	(12.88)	(16.23)	(19.91)

STANDARD PRODUCT

STANDARD PRODUCT

About Versaprofiles

With over 50 years of experience in thermoplastic extrusion, Versaprofiles offers innovations that simplify life and lighten your daily workload. We produce pipes for the maple syrup, geothermal, water, and natural gas distribution markets, as well as specializing in the development of custom designed products. We combine the expertise that we've acquired in the various markets that we serve with the flexibility of our manufacturing facilities to bring each new project to a whole new level. At Versaprofiles, we work diligently with our partners in a spirit of collaboration to deliver products that meet and exceed expectations, backed by industry-leading customer service.

